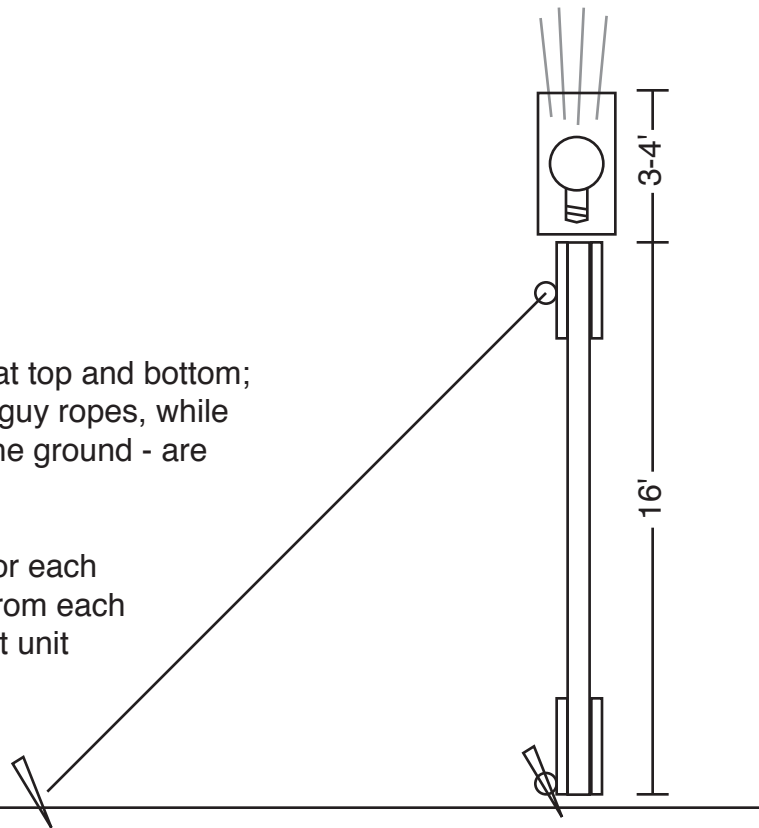


Burning Man 2004
Humanpower Sky Spotlight

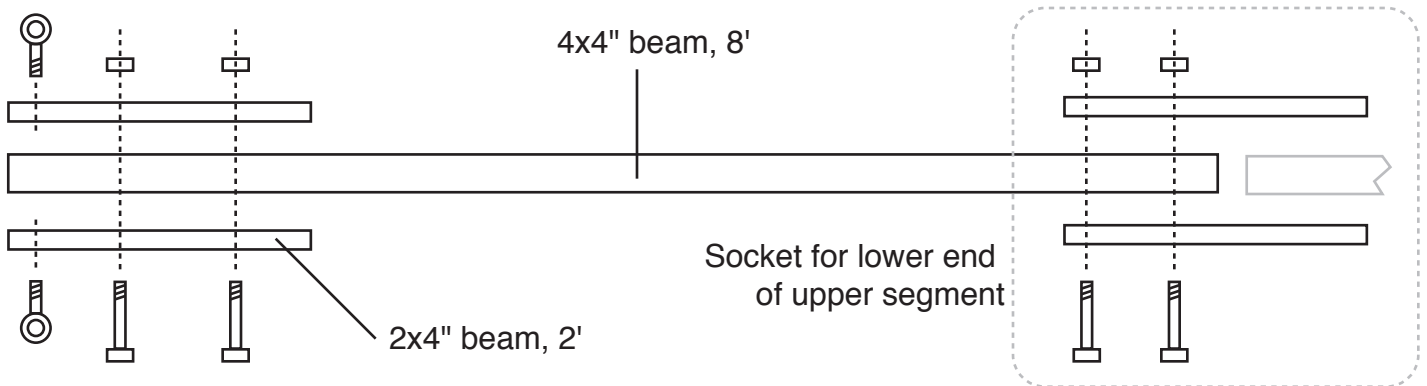
Light Tower

Tower shaft has anchor eyebolts at top and bottom; the top eyebolts are tie points for guy ropes, while the bottom eyebolts - parallel to the ground - are staked to the ground directly.

Tower has three guy ropes, one for each bicycle generator; power cables from each generator lead back up to the light unit alongside the guy ropes.



Lower segment design:



Upper segment design:

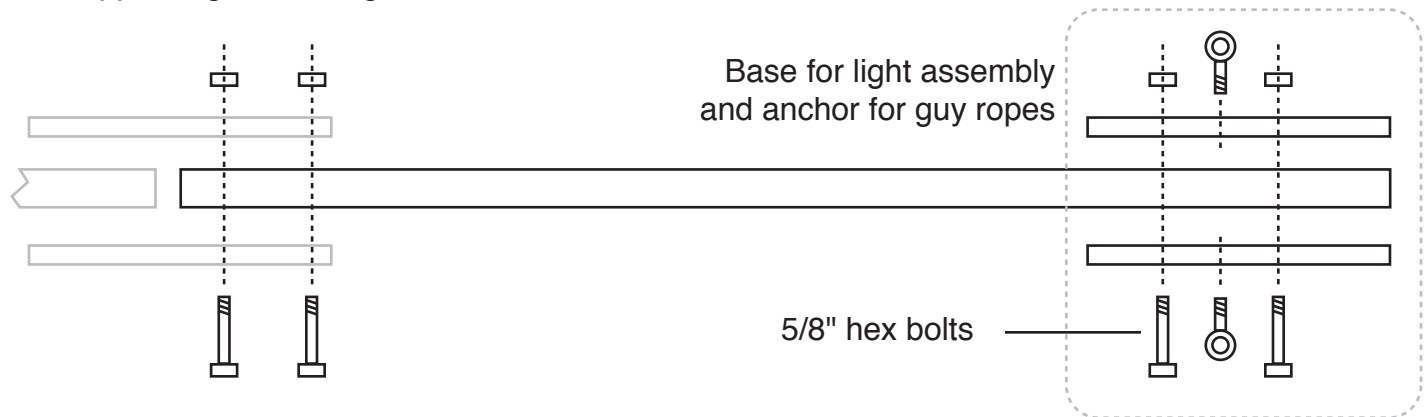


Diagram shows two sides only; facing sides are identical.
All four sides of the central beam are reinforced.